

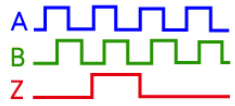


# CHB

## Hollow Type Encoder



### Electrical

Detection System	Incremental
Power Source	DC 5V, 8 ~ 24V
Current Consumption	50 mA or below
Response Frequency	50 KHz
Output Voltag	VoH: Vcc – 0.7V, VoL: 0.5V
Output Phase	A, B A, B, Z
Output Wave Form	
Output Mode	Push-pull

### Connection

Red	Black	White
+	-	A
Green	Yellow	Shield
B	Z	⊥

### Application

- Light Duty Industry Machine

### Feature

- General Purpose
- Small Size
- Low Cost

### Resolution

100, 200, 256, 300, 360, 400, 500, 512,  
1000, 1024 P/R

### Mechanical Spec.

Shaft Diameter	∅6mm
Starting Torque	0.2 Ncm
Shaft Loading	Radial: 80 N Axial : 50 N
Max. R.P.M.	6000
Net Weight	120g

### Environmental Spec.

Operating Temp.	-10 ~ +70°C
Storage Temp.	-20 ~ +80°C
Operating Humidity	85% RH Max.
Shock	490 m/s <sup>2</sup> , 3Dx2 times
Vibration	0.6mm, 10~55KHz, 3Dx30min.
Protection	IP 54



# CHB

Hollow Type Encoder

## Ordering Information

**C H B - [ ] [ ] [ ] [ ] - [ ] 6 P [ ] - [ ] 0 1 0**

Resolution			
100	100 P/R	400	400 P/R
200	200 P/R	500	500 P/R
256	256 P/R	512	512 P/R
300	300 P/R	1000	1000 P/R
360	360 P/R	1024	1024 P/R

**Output Phase**

X: A  
Y: AB  
Z: ABZ

**Wiring Entry**

R: Radial

**Shaft Diameter**

6: 6mm

**Output Mode**

P: push pull

**Power Source**

T: TTL 5V  
H: High voltage 8~24V

**Cable Length**

010: 1M

## Mechanical Drawing

Unit: mm

