

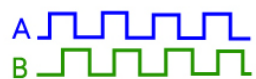


CHD-N

Shaft Type Encoder



Electrical

Detection System	Incremental
Power Source	DC 5V, 8 ~ 24V
Current Consumption	50 mA or below
Response Frequency	50 KHz
Output Voltag	VoH: Vcc – 0.7V, VoL: 0.5V
Output Phase	A, B
Output Wave Form	
Output Mode	Open Collector, Voltage

Connection

Red	Black	White
+	-	A
Green	Shield	
B		

Application

- Light Duty Industry Machine

Feature

- General Purpose
- Small Size
- Low Cost

Resolution

200, 250, 300, 360, 400, 500, 512, 600, 720

P/R

Mechanical Spec.

Shaft Diameter	∅6mm
Starting Torque	0.2 Ncm
Shaft Loading	Radial: 80N Axial: 50 N
Max. R.P.M.	6000
Net Weight	140g

Environmental Spec.

Operating Temp.	-10 ~ +70°C
Storage Temp.	-20 ~ +80°C
Operating Humidity	RH 85% max non-collecting
Shock	490 m/s ² , 3Dx2 times
Vibration	0.6mm, 10~55KHz, 3Dx30min.
Protection	IP 54



CHD-N

Shaft Type Encoder

Ordering Information

C H D - N - **-** **6** **-** **0 1 0**

Resolution

200	200 P/R	500	500 P/R
256	256 P/R	512	512 P/R
300	300 P/R	600	600 P/R
360	360 P/R	720	720 P/R
400	400 P/R		

Output Phase

X: A
Y: AB

Wiring Entry

A: axis

Shaft Diameter

6: 6mm

Output Mode

V: voltage output
O: open collector

Power Source

T: TTL5V
H: High voltage 8~24V

Cable Length

010: 1M

Mechanical Drawing

Unit: mm

