

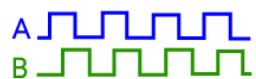


EHW-HD

Shaft Type Encoder



Electrical

Detection System	Incremental
Power Source	DC 5V, 8 ~ 24V
Current Consumption	50 mA or below
Response Frequency	30 KHz
Output Voltag	VoH: Vcc – 0.7V, VoL: 0.5V
Output Phase	A, B
Output Wave Form	
Output Mode	Open Collector, Voltage

Connection

Red	Black	White
+	-	A
Green	Shield	
B		

Application

- Industry Machine

Feature

- Big Size
- Heavy Duty

Resolution

20, 30, 40, 50, 60, 100, 120, 200, 300, 360,
400, 500 P/R

Mechanical Spec.

Shaft Diameter	Φ25mm
Starting Torque	3 Ncm
Shaft Loading	Radial: 400 N Axial: 400 N
Max. R.P.M.	6000
Net Weight	970g

Environmental Spec.

Operating Temp.	-10 ~ +70°C
Storage Temp.	-20 ~ +80°C
Operating Humidity	RH 85% max non-collecting
Shock	490 m/s ² , 3Dx2 times
Vibration	0.6mm, 10~55KHz, 3Dx30min.
Protection	IP 54



EHW-HD

Shaft Type Encoder

Ordering Information

E H W - H D - **-** **2 5** **-** **0 1 5**

Resolution			
20	20 P/R	120	120 P/R
30	30 P/R	200	200 P/R
40	40 P/R	300	300 P/R
50	50 P/R	360	360 P/R
60	60 P/R	400	400 P/R
100	100 P/R	500	500 P/R

Output Phase
 X: A
 Y: AB

Shaft Diameter
 25: 25mm

Wiring Entry
 A: axis

Output Mode
 V: voltage output
 O: open collector

Power Source
 T: TTL5V
 H: High voltage 8~24V

Cable Length
 015: 1.5M

Mechanical Drawing

Unit: mm

