

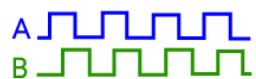


EHW

Hollow Type Encoder



Electrical

Detection System	Incremental
Power Source	DC 5V, 8 ~ 24V
Current Consumption	60 mA or below
Response Frequency	30 KHz
Output Voltag	VoH: Vcc – 0.7V, VoL: 0.5V
Output Phase	A, B
Output Wave Form	
Output Mode	Open Collector, Voltage

Connection

Red	Black	White
+	-	A
Green	Shield	
B		

Application

- Industry Machine

Feature

- Big Size
- Bore Diameter Options Available

Resolution

20, 30, 40, 50, 60, 100, 120, 200, 300, 360, 400, 500 P/R

Mechanical Spec.

Shaft Diameter	Φ 15, Φ18mm
Starting Torque	1.5 Ncm
Shaft Loading	Radial: 100 N Axial: 60 N
Max. R.P.M.	6000
Net Weight	680g

Environmental Spec.

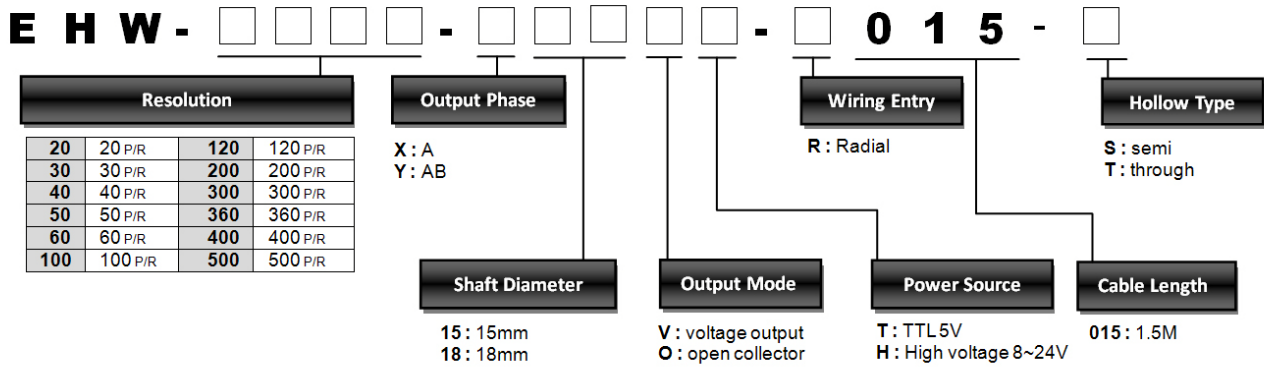
Operating Temp.	-10 ~ +70°C
Storage Temp.	-20 ~ +80°C
Operating Humidity	RH 85% max non-collecting
Shock	490 m/s ² , 3Dx2 times
Vibration	0.6mm, 10~55KHz, 3Dx30min.
Protection	IP 54



EHW

Hollow Type Encoder

Ordering Information



Mechanical Drawing

Unit: mm

