

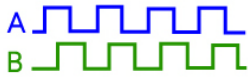


# ELK

Hollow Type Encoder



## Electrical

Detection System	Incremental
Power Source	DC 5V, 8 ~ 24V
Current Consumption	60 mA or below
Response Frequency	30 KHz
Output Voltag	VoH: Vcc – 0.7V, VoL: 0.5V
Output Phase	A, B
Output Wave Form	
Output Mode	Open Collector, Voltage

## Connection

Red	Black	White
+	-	A
Green	Yellow	Shield
B	Z	

## Application

- Industry Machine

## Feature

- Bore Encoder
- Bore Diameter Options Available
- Heavy Duty

## Resolution

20, 30, 40, 50, 60, 100, 120, 200, 300, 360  
P/R

## Mechanical Spec.

Shaft Diameter	Φ 11, Φ24mm
Starting Torque	2.2 Ncm
Shaft Loading	Radial: 160 N Axial: 80 N
Max. R.P.M.	6000
Net Weight	630g

## Environmental Spec.

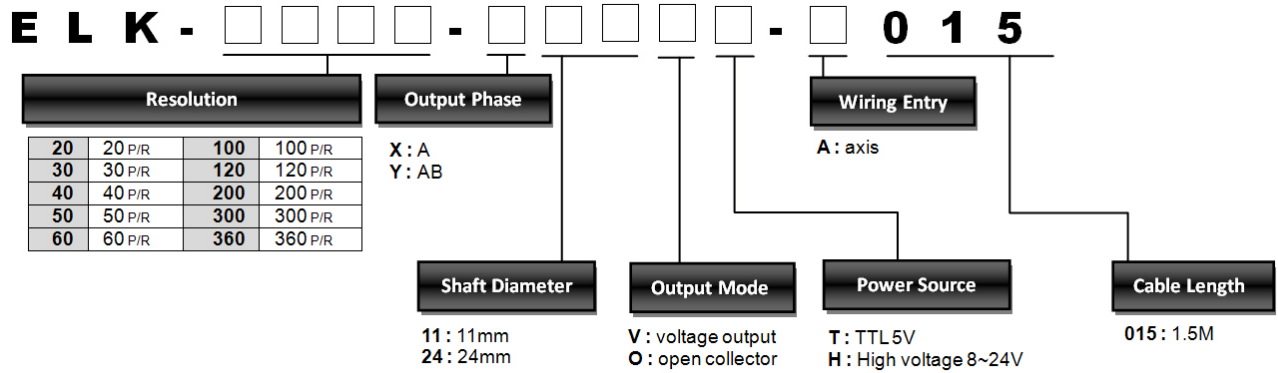
Operating Temp.	-10 ~ +70°C
Storage Temp.	-20 ~ +80°C
Operating Humidity	RH 85% max non-collecting
Shock	490 m/s <sup>2</sup> , 3Dx2 times
Vibration	0.6mm, 10~55KHz, 3Dx30min.
Protection	IP 54



# ELK

## Hollow Type Encoder

### Ordering Information



### Mechanical Drawing

Unit: mm

