

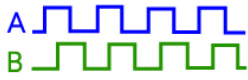


EMB

Shaft Type Encoder



Electrical

Detection System	Incremental
Power Source	DC 5V, 8 ~ 24V
Current Consumption	40 mA or below
Response Frequency	50 KHz
Output Voltag	VoH: Vcc – 0.7V, VoL: 0.5V
Output Phase	A, B
Output Wave Form	
Output Mode	Open Collector, Voltage

Connection

Red	Black	White
+	-	A
Green	Shield	
B		

Application

- Industry Machine

Feature

- General Type
- Collar Mounting

Resolution

1, 4, 5, 10, 20, 25, 30, 40, 50, 60, 90, 100,
120, 180, 200, 300, 360 P/R

Mechanical Spec.

Shaft Diameter	Φ8mm
Starting Torque	< 0.019 Nm
Shaft Loading	Radial: 150 N Axial : 90N
Max. R.P.M.	6000
Net Weight	382g

Environmental Spec.

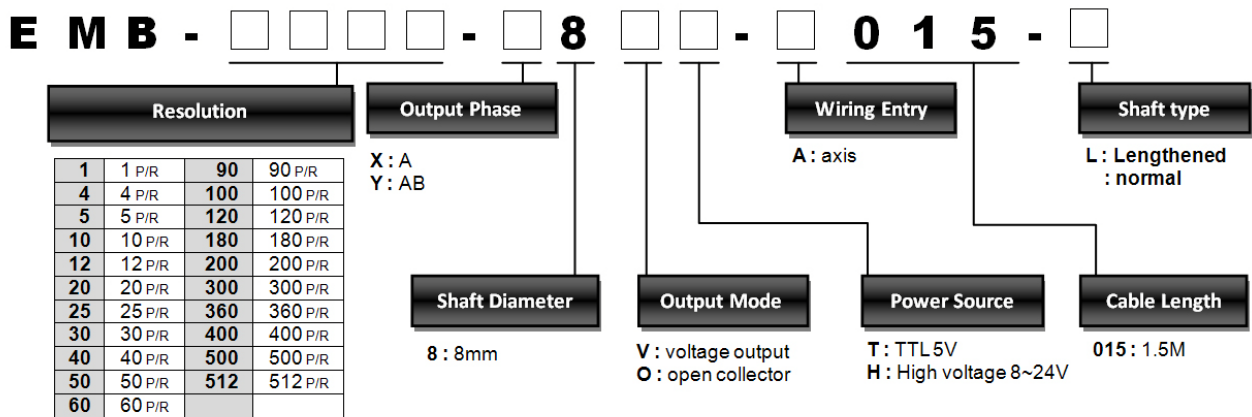
Operating Temp.	-10 ~ +70℃
Storage Temp.	-20 ~ +80℃
Operating Humidity	RH 85% max non-collecting
Shock	490 m/s ² , 3Dx2 times
Vibration	0.6mm, 10~55KHz, 3Dx30min.
Protection	IP 54



EMB

Shaft Type Encoder

Ordering Information



Mechanical Drawing

