

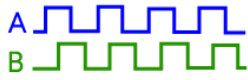


HM

Measuring Wheel Encoder



Electrical

Detection System	Incremental
Power Source	DC 8 ~ 24V
Current Consumption	40 mA or below
Response Frequency	20 KHz
Output Voltag	VoH: Vcc - 0.7V, VoL: 0.5V
Output Phase	A A, B
Output Wave Form	
Output Mode	Voltage

Connection

Red	Black	White
+	-	A
Green	Shield	
B		

Wheel Circle Length

Meter Wheel	0.3 Meter ± 0.1%
Yard Wheel	0.3 Yard ± 0.1%

Application

- Length Measuring For Industry Machine

Feature

- Wheel Measuring Sensor
- Mounting Easy
- Meter · Yard Wheel Available

Resolution

Type	Resolution (Meter or Yard)	Output Signal
HM-AB2	0.1	Bi-Direction
HM-AB4	0.001	

Mechanical Spec.

Max. Measuring Speed.	360 M/min
Net Weight.	500g

Environmental Spec.

Operating Temp.	-10 ~ +70°C
Storage Temp.	-20 ~ +80°C
Operating Humidity	RH 85% max non-collecting
Shock	490 m/s ² , 3Dx2 times
Vibration	0.6mm, 10~55KHz, 3Dx30min.
Protection	IP 54



HM

Measuring Wheel Encoder

Ordering Information

HM - XXX - X X - 015

Resolution	
AB2:	0.1Meter
AB4:	0.001Meter

Cable Length	
015	1.5M

Unit	
M	Meter
Y	Yard
	NONE

Cable	
C	Cable

Mechanical Drawing

Unit: mm

