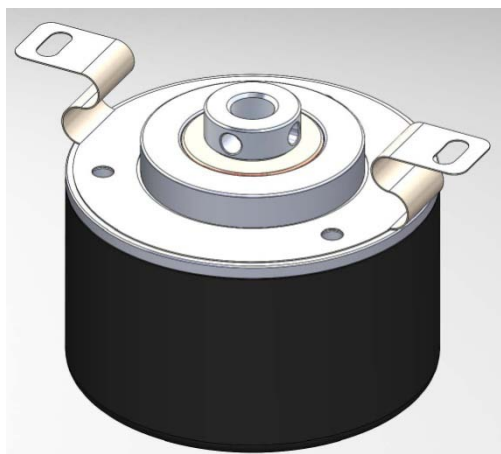




HS50A

Hollow Type Encoder



Application 應用

- Industry Machine 產業機械
- Automated Equipment 自動化設備

Feature 特點

- Reliable sturdy design 可靠的堅固設計
- Small Size & Easy Mounting 體積小&易安裝
- ESD (IEC61000-4-2) 靜電(IEC61000-4-2)
- Reverse connection protection 電氣極性錯誤保護
- Short-Circuit protection 短路保護

Resolution 解析度

360, 400, 500, 512, 600, 625, 720, 800, 1000, 1024, 1200, 1250, 1440, 1600, 2000, 2048, 2400, 2500 P/R

Electrical 電氣規格

	Z□VH、Z□VT Z□OH、Z□OT	Z□PH、Z□PT	Z□KH、Z□KT	Z□LH、Z□LT
Supply voltage*	4.5 ~ 5.5V、8 ~ 30V		4.5 ~ 5.5V、8 ~ 30V	
Supply current (Max)	80mA		100mA	
Signal	A, B, Z		A, B, Z	A+,A-,B+,B-,Z+,Z-
Rise/fall time (Max)	1us**	100ns	100ns	
Frequency	300kHz	500kHz	500kHz	
Outout voltage	"H"	VCC - 2V		VCC - 2V
	"L"	0.5V Max		0.5V Max
Max. output current	20mA	120mA	120mA	20mA

* Ripple < 100mVp-p

** Pull up Resistance = 2kΩ

Mechanical Spec. 機械規格

Hollow Diameter 孔徑	Φ4,5, 6, 6.35, 8 mm
Starting Torque 啟動轉矩	<0.8 Ncm
Shaft Loading 軸荷重	Radial 徑向: 80 N
	Axial 軸向: 50 N
Max. R.P.M. 最大轉速	6000、12000*** rpm
Net Weight 淨重	150g

***Option 選配

Environmental Spec. 環境條件

Operating Temp. 操作溫度	-20 ~ +85°C
Storage Temp. 保存溫度	-20 ~ +85°C
Operating Humidity 操作溼度	RH 95% max
	non-collecting
Shock 衝擊	490 m/s ² , 3Dx2 times
Vibration 震動	1.2mm, 10~55KHz, 3Dx30min.
Protection 防護等級	IP 54



HS50A

Hollow Type Encoder

Connection 接線方式

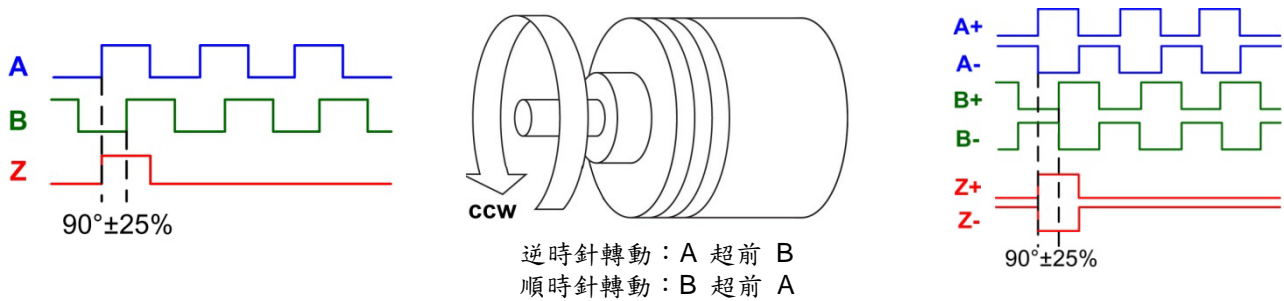
Signal : A, B, Z (UL2464、AWG 26、5pin + shield)

紅	黑	白	綠	黃	
Vcc	Gnd	A	B	Z	Shield

Signal : A+, A-, B+, B-, Z+, Z- (UL2517、AWG 28、8pin + shield)

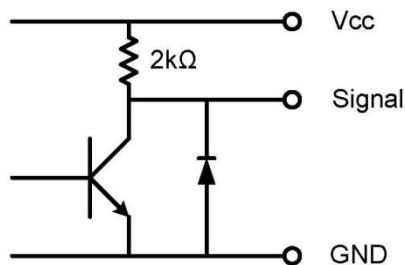
紅	黑	白	白/黑	綠	綠/黑	黃	黃/黑	
Vcc	Gnd	A+	A-	B+	B-	Z+	Z-	Shield

Wave form

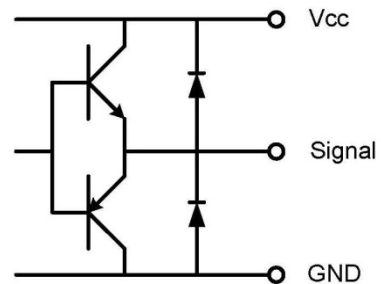


輸出電路

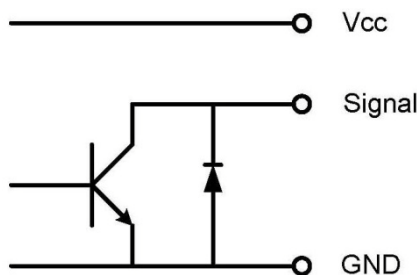
Voltage output



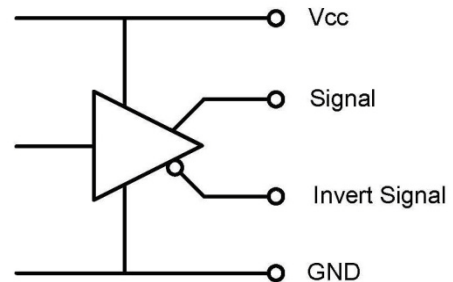
Push pull



Open collector



Line driver 5V =>(26C31) · 30V(7272)





HS50A

Hollow Type Encoder

Ordering Information 訂購資訊

HS50A - XXXX - X X X X - RXXX

解析度(Resolution)
360 ~ 2500

輸出相位(Phase)
Z A, B, Z

軸孔(Hollow)
4 4mm
5 5mm
6 6mm
6.35 6.35mm
8 8mm

線材長度(Type No.)
010, 020, 030 ...

工作電壓(Supply voltage)
H 8~30V
T TTL(5V)

輸出電路(Output circuit)
V Voltage output (NPN)
O Open collector
P Push pull(HTL)
K Push pull(with inverted signal) *
L Line Driver

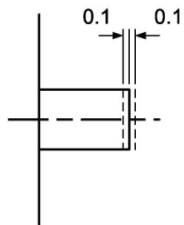
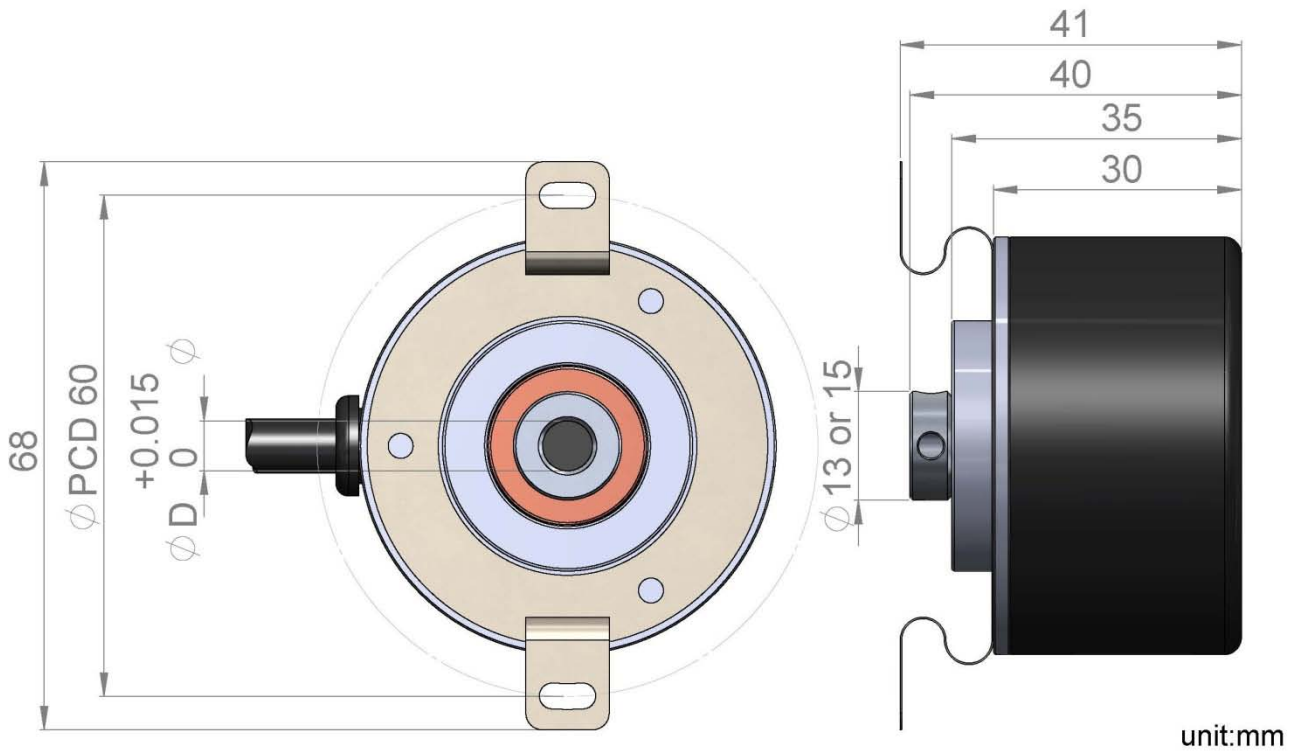
*Push Pull(with inverted signal)=>Option



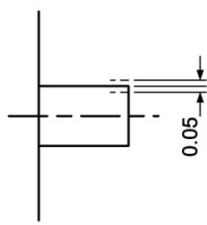
HS50A

Hollow Type Encoder

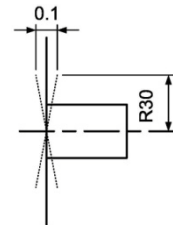
Mechanical Drawing 外型尺寸



軸向結合公差



徑向結合公差



同心角度公差